

Features

- Welded core tube provides higher pressure ratings
- Reliable, proven design with high flows
- Small poppet valves for tight shutoff
- Wide range of elastomers for specialty service applications
- Mountable in any position
- Tapped mounting holes in body standard

Construction

Valve Parts in Contact with Fluids		
Body	Brass	Cast 304 Stainless Steel
Seals and Discs	NBR or Cast UR	
Core Tube	305 Stainless Steel	
Core and Plugnut	430F Stainless Steel	
Springs	302 Stainless Steel	
Shading Coil	Copper	Silver

Electrical

Watt Rating and Power Consumption				Spare Coil Part No.			
DC Watts	AC			General Purpose		Explosionproof	
	Watts	VA Holding	VA Inrush	AC	DC	AC	DC
10.6	6.1*	16	30	238210	238510	238214	238514
18.6	9.1*	20	45	238210	238510	238214	238514
11.6	10.1	25	50	238610	238910	238614	238914
22.6	17.1	40	70	238610	238910	238614	238914

Standard Voltages: 24, 120, 240, 480 volts AC, 60 Hz (or 110, 220 volts AC, 50 Hz).
 6, 12, 24, 120, 240 volts DC. Must be specified when ordering.
 Other voltages available when required.

*On 50 hertz service, the rating for the 6.1/F solenoid is 8.1 watts, and the rating for the 9.1/F solenoid is 11.1 watts.

Solenoid Enclosures

Standard: Watertight, Types 1, 2, 3, 3S, 4, and 4X.

Optional: Explosionproof and Watertight, Types 3, 3S, 4, 4X, 6, 6P, 7, and 9.
 (To order, add prefix "EF" to catalog number)

See *Optional Features Section* for other available options.

Options

Mounting bracket (suffix MB)

Quarter-turn manual operator with screw slot (suffix MS)

Panel mount (prefix GP for conduit; *consult ASCO for other electrical connections*)

Vacuum service (suffix VVM, VVH; see *Vacuum Section for more details*.)

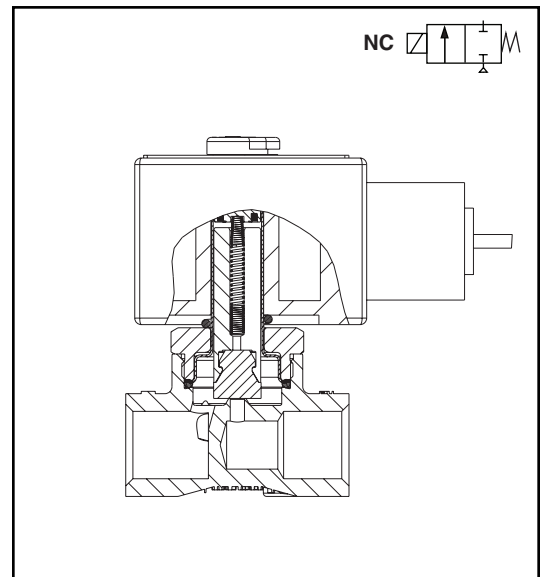
Oxygen service (suffix N)

Silicone Free (suffix SF)

Elastomers: FKM (suffix V), Ethylene Propylene (suffix E), CR (suffix J), PTFE (suffix T), Low Temp NBR (suffix A)

Note: For suffix A, Fluid temp. range -40°F to 167°F only for valves with 10.1, 17.1, 11.6, and 22.6 watt coils.

Refer to *Engineering Section* for fluid and temperature compatibility.



Nominal Ambient Temp. Ranges

The nominal limitation of 32°F (0°C) is advisable for any valve that might contain moisture (water vapor).

AC: -13°F to 131°F (-25°C to 55°C)

DC: -13°F to 104°F (-25°C to 40°C)

-13°F to 131°F (-25°C to 55°C)

Note: Max ambient for explosionproof (EF) is 125°F (52°C) for AC, 131°F (55°C) for DC.

Optional: For AC, the max. ambient temperature is 140°F (60°C) with Class H coil (with or without prefix EF)

Refer to *Engineering Section* for details.

Approvals

CSA certified. UL listed, as indicated. Safety Shutoff Valves FM approved. Meets applicable CE directives.

Refer to *Engineering Section* for details.

Specifications (English units)

Pipe Size (in)	Orifice size (in)	Cv Flow Factor	Operating Pressure Differential (psi)									Max. Fluid Temp. °F		Catalog Number		Const. Ref.	UL Listing	Watt Rating/ Class of Coil Insulation		
			Max. AC@131°F			Max. DC@104°F			Max. DC@131°F					Brass	Stainless Steel			AC	DC	
			Air-Inert Gas	Water	Lt. Oil @ 300ssu	Air-Inert Gas	Water	Lt. Oil @ 300ssu	Air-Inert Gas	Water	Lt. Oil @ 300ssu	AC	DC							
NORMALLY CLOSED (Closed when de-energized), NBR Disc																				
1/8	3/64	0.06	2200	2200	1700	-	-	-	-	-	-	140	-	-	8262H175 ①	1	●	10.1/F	-	
1/8	3/64	0.06	-	-	-	2000	2000	1725	1900	1900	1700	-	140	-	8262H176 ①	1	●	-	22.6/H	
1/8	3/64	0.06	-	-	-	1500	1500	1500	1500	1500	1500	-	140	-	8262H089 ①	1	●	-	22.6/H	
1/8	3/64	0.06	2025	1710	825	965	745	720	920	700	675	140	140	-	8262H079 ①	2	●	9.1/F	18.6/H	
1/8	3/64	0.06	1500	1350	825	750	620	565	700	565	530	140	140	-	8262H096 ①	2	●	6.1/F	10.6/H	
1/8	3/64	0.06	1500	1350	825	-	-	-	-	-	-	-	140	-	8262H173 ①	2	●	6.1/F	-	
1/8	3/64	0.06	1500	1500	1500	1170	1145	945	1000	965	855	140	140	-	8262H099 ①	1	●	10.1/F	11.6/H	
1/8	3/64	0.06	750	750	725	750	640	550	750	600	500	180	180	-	8262H001	2	○	6.1/F	10.6/H	
1/8	3/32	0.21	720	410	410	610	410	410	600	410	400	180	180	-	8262H277	1	○	17.1/F	22.6/H	
1/8	3/32	0.21	-	-	-	290	290	270	240	240	255	180	180	-	8262H177	1	○	-	11.6/H	
1/8	3/32	0.21	500	350	325	295	210	205	285	200	195	180	180	-	8262H011	2	○	9.1/F	18.6/H	
1/8	3/32	0.21	370	330	190	235	160	160	215	150	145	180	180	-	8262H014	2	○	6.1/F	10.6/H	
1/8	1/8	0.35	500	380	355	275	275	235	250	250	225	180	180	-	8262H105	1	○	17.1/F	22.6/H	
1/8	1/8	0.35	340	300	215	-	-	-	-	-	-	-	180	-	8262H179	1	○	10.1/F	-	
1/8	1/8	0.35	275	260	195	165	130	130	155	120	120	180	180	-	8262H016	2	○	9.1/F	18.6/H	
1/8	1/8	0.35	185	180	120	130	110	95	120	100	90	180	180	-	8262H002	2	○	6.1/F	10.6/H	
1/4	3/64	0.06	2200	2200	1700	1170	1145	945	1000	965	855	140	140	-	8262H214 ①	3	●	10.1/F	11.6/H	
1/4	3/64	0.06	1500	1500	1500	1170	1145	945	1000	965	855	140	140	-	8262H200 ①	3	●	10.1/F	11.6/H	
1/4	3/64	0.06	1500	1500	1500	1500	1500	1500	1500	1500	1500	140	140	-	8262H107 ①	3	●	17.1/F	22.6/H	
1/4	3/64	0.06	-	-	-	2000	2000	1725	1900	1900	1700	-	140	-	8262H181 ①	3	●	-	22.6/H	
1/4	3/64	0.06	1500	1350	825	750	620	530	700	565	495	140	140	-	8262H106 ①	4	●	6.1/F	10.6/H	
1/4	3/64	0.06	750	750	725	750	640	550	750	600	500	180	180	-	8262H019	4	○	6.1/F	10.6/H	
1/4	3/32	0.21	720	410	410	610	410	410	600	410	400	180	180	-	8262H109	3	○	17.1/F	22.6/H	
1/4	3/32	0.21	590	410	410	290	290	270	240	240	225	180	180	-	8262H108	3	○	10.1/F	11.6/H	
1/4	3/32	0.21	500	350	270	295	210	205	285	200	195	180	180	-	8262H021	4	○	9.1/F	18.6/H	
1/4	3/32	0.21	370	330	160	235	160	160	215	150	145	180	180	-	8262H020	4	○	6.1/F	10.6/H	
1/4	1/8	0.35	500	380	355	275	275	235	250	250	225	180	180	-	8262H110	3	○	17.1/F	22.6/H	
1/4	1/8	0.35	340	300	215	130	125	115	110	105	100	180	180	-	8262H232	-	3	○	10.1/F	11.6/H
1/4	1/8	0.35	340	300	215	-	-	-	-	-	-	180	-	-	8262H184	3	○	10.1/F	-	
1/4	1/8	0.35	275	260	150	165	130	120	155	120	115	180	180	-	8262H023	-	4	○	9.1/F	18.6/H
1/4	1/8	0.35	185	180	90	130	110	90	120	100	85	180	180	-	8262H022	4	○	6.1/F	10.6/H	
1/4	5/32	0.52	300	210	210	135	135	135	115	115	115	180	180	-	8262H112	3	○	17.1/F	22.6/H	
1/4	5/32	0.52	210	200	145	65	63	63	55	54	54	180	180	-	8262H202	-	3	○	10.1/F	11.6/H
1/4	5/32	0.52	210	200	145	-	-	-	-	-	-	180	180	-	8262H220	3	○	10.1/F	-	
1/4	5/32	0.52	150	140	100	95	75	75	85	72	70	180	180	-	8262H113	-	4	○	9.1/F	18.6/H
1/4	5/32	0.52	100	100	55	72	60	55	67	53	52	180	180	-	8262H111	8262H186	4	○	6.1/F	10.6/H
1/4	7/32	0.73	125	125	125	70	70	70	65	65	65	180	180	-	8262H114	8262H188	3	○	17.1/F	22.6/H
1/4	7/32	0.73	100	100	100	35	35	35	30	30	30	180	180	-	8262H208	-	3	○	10.1/F	11.6/H
1/4	7/32	0.73	100	100	100	-	-	-	-	-	-	180	-	-	8262H226	3	○	10.1/F	-	
1/4	7/32	0.73	55	54	40	38	33	31	35	30	28	180	180	-	8262H013	8262H036	4	○	6.1/F	10.6/H
1/4	9/32	0.88	90	90	90	53	50	47	48	46	44	180	180	-	8262H212	8262H230	3	○	17.1/F	22.6/H
1/4	9/32	0.88	65	75	60	25	25	22	22	22	20	180	180	-	8262H210	-	3	○	10.1/F	11.6/H
1/4	9/32	0.88	65	75	60	-	-	-	-	-	-	180	-	-	8262H189	3	○	10.1/F	-	
1/4	9/32	0.88	36	36	33	27	23	21	24	22	20	180	180	-	8262H090	8262H038	4	○	6.1/F	10.6/H
3/8	1/8	0.35	500	380	355	275	275	160	250	250	150	180	180	-	8263H115	8263H191	5	○	17.1/F	22.6/H
3/8	1/8	0.35	340	300	215	130	125	85	110	105	75	180	180	-	8263H232	-	5	○	10.1/F	11.6/H
3/8	1/8	0.35	340	300	215	-	-	-	-	-	-	180	-	-	8263H190	5	○	10.1/F	-	
3/8	1/8	0.35	275	260	140	165	130	110	155	120	105	180	180	-	8263H003	-	6	○	9.1/F	18.6/H
3/8	1/8	0.35	185	180	90	130	110	80	120	100	75	180	180	-	8263H002	8263H330	6	○	6.1/F	10.6/H
3/8	5/32	0.52	300	210	195	135	135	100	115	115	90	180	180	-	8263H118	8263H193	5	○	17.1/F	22.6/H
3/8	5/32	0.52	210	185	100	65	63	50	55	54	44	180	180	-	8263H200	-	5	○	10.1/F	11.6/H
3/8	5/32	0.52	210	185	100	-	-	-	-	-	-	180	-	-	8263H331	5	○	10.1/F	-	
3/8	5/32	0.52	150	140	80	95	75	75	85	72	70	180	180	-	8263H117	-	6	○	9.1/F	18.6/H
3/8	5/32	0.52	100	100	50	72	60	55	67	53	52	180	180	-	8263H116	8263H192	6	○	6.1/F	10.6/H
3/8	7/32	0.73	125	100	100	70	70	70	65	65	65	180	180	-	8263H206	8263H332	5	○	17.1/F	22.6/H
3/8	7/32	0.73	100	86	70	35	35	35	30	30	30	180	180	-	8263H124	-	5	○	10.1/F	11.6/H
3/8	7/32	0.73	100	86	70	-	-	-	-	-	-	180	-	-	8263H195	5	○	10.1/F	-	
3/8	7/32	0.73	55	54	29	38	33	31	35	30	28	180	180	-	8263H119	8263H194	6	○	6.1/F	10.6/H
3/8	9/32	0.88	100	85	70	53	50	47	48	46	44	180	180	-	8263H210	8263H333	5	○	17.1/F	22.6/H
3/8	9/32	0.88	65	63	47	-	-	-	-	-	-	180	180	-	8263H125	8263H197	5	○	10.1/F	-
3/8	9/32	0.88	35	32	21	27	23	21	24	22	20	180	180	-	8263H054	8263H196	6	○	6.1/F	10.6/H

32 ① Only available with UR disc, limits min. ambient temp. to 32°F (0°C); ● = General Purpose Valve, ○ = Safety Shutoff Valve

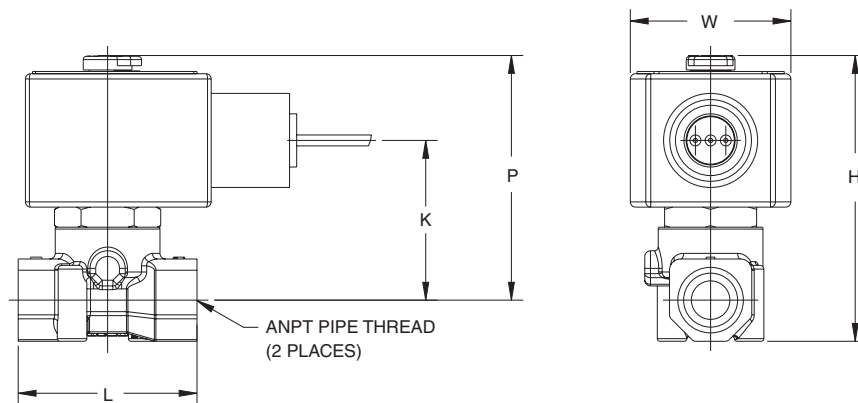
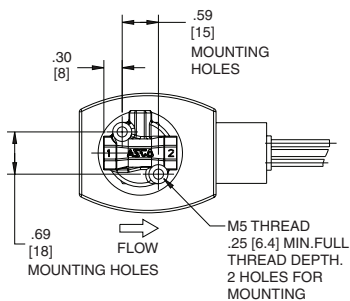
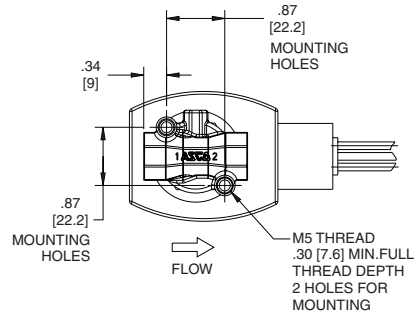
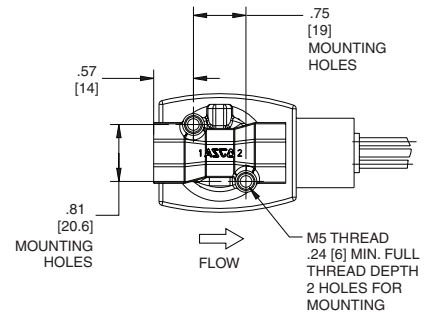
Specifications (Metric units)

Pipe Size (in)	Orifice size (mm)	Kv Flow Factor (m³/h)	Operating Pressure Differential (bar)									Max. Fluid Temp. °C		Catalog Number		Const. Ref.	UL Listing	Watt Rating/ Class of Coil Insulation	
			Max. AC@55°C			Max. DC@40°C			Max. DC@55°C					Brass	Stainless Steel			AC	DC
			Air-Inert Gas	Water	Lt. Oil @ 300ssu	Air-Inert Gas	Water	Lt. Oil @ 300ssu	Air-Inert Gas	Water	Lt. Oil @ 300ssu	AC	DC						
NORMALLY CLOSED (Closed when de-energized), NBR Disc																			
1/8	1.2	0.05	152	152	117	-	-	-	-	-	-	60	-	-	8262H175 ①	1	●	10.1/F	-
1/8	1.2	0.05	-	-	-	138	138	119	131	131	117	-	60	-	8262H176 ①	1	●	-	22.6/H
1/8	1.2	0.05	-	-	-	103	103	103	103	103	103	-	60	8262H089 ①	-	1	●	-	22.6/H
1/8	1.2	0.05	140	118	57	67	51	50	63	48	47	60	60	-	8262H079 ①	2	●	9.1/F	18.6/H
1/8	1.2	0.05	103	93	57	52	43	39	48	39	37	60	60	8262H096 ①	-	2	●	6.1/F	10.6/H
1/8	1.2	0.05	103	93	57	-	-	-	-	-	-	-	60	-	8262H173 ①	2	●	6.1/F	-
1/8	1.2	0.05	103	103	103	81	79	65	69	67	59	60	60	8262H099 ①	-	1	●	10.1/F	11.6/H
1/8	1.2	0.05	52	52	50	52	44	38	52	41	34	82	82	8262H001	8262H012	2	○	6.1/F	10.6/H
1/8	2.4	0.18	50	28	28	42	28	28	41	28	28	82	82	8262H277	8262H178	1	○	17.1/F	22.6/H
1/8	2.4	0.18	-	-	-	20	20	19	17	17	18	-	82	-	8262H177	1	○	-	11.6/H
1/8	2.4	0.18	34	24	22	20	14	14	20	14	13	82	82	8262H011	-	2	○	9.1/F	18.6/H
1/8	2.4	0.18	26	23	13	16	11	11	15	10	10	82	82	8262H014	8262H015	2	○	6.1/F	10.6/H
1/8	3.2	0.30	34	26	24	19	19	16	17	17	16	82	82	8262H105	8262H174	1	○	17.1/F	22.6/H
1/8	3.2	0.30	23	21	15	-	-	-	-	-	-	82	-	-	8262H179	1	○	10.1/F	-
1/8	3.2	0.30	19	18	13	11	9	9	11	8	8	82	82	8262H016	-	2	○	9.1/F	18.6/H
1/8	3.2	0.30	13	12	8	9	8	7	8	7	6	82	82	8262H002	8262H006	2	○	6.1/F	10.6/H
1/4	1.2	0.05	152	152	117	81	79	65	69	67	59	60	60	-	8262H214 ①	3	●	10.1/F	11.6/H
1/4	1.2	0.05	103	103	103	81	79	65	69	67	59	60	60	8262H200 ①	-	3	●	10.1/F	11.6/H
1/4	1.2	0.05	103	103	103	103	103	103	103	103	103	60	60	8262H107 ①	-	3	●	17.1/F	22.6/H
1/4	1.2	0.05	-	-	-	138	138	119	131	131	117	-	60	-	8262H181 ①	3	●	-	22.6/H
1/4	1.2	0.05	103	93	57	52	43	37	48	39	34	60	60	8262H106 ①	8262H180 ①	4	●	6.1/F	10.6/H
1/4	1.2	0.05	52	52	50	52	44	38	52	41	34	82	82	8262H019	8262H080	4	○	6.1/F	10.6/H
1/4	2.4	0.18	50	28	28	42	28	28	41	28	28	82	82	8262H109	8262H183	3	○	17.1/F	22.6/H
1/4	2.4	0.18	41	28	28	20	20	19	17	17	16	82	82	8262H108	8262H182	3	○	10.1/F	11.6/H
1/4	2.4	0.18	34	24	19	20	14	14	20	14	13	82	82	8262H021	-	4	○	9.1/F	18.6/H
1/4	2.4	0.18	26	23	11	16	11	11	15	10	10	82	82	8262H020	8262H086	4	○	6.1/F	10.6/H
1/4	3.2	0.30	34	26	24	19	19	16	17	17	16	82	82	8262H110	8262H185	3	○	17.1/F	22.6/H
1/4	3.2	0.30	23	21	15	9	9	8	8	7	7	82	82	8262H232	-	3	○	10.1/F	11.6/H
1/4	3.2	0.30	23	21	15	-	-	-	-	-	-	82	-	-	8262H184	3	○	10.1/F	-
1/4	3.2	0.30	19	18	10	11	9	8	11	8	8	82	82	8262H023	-	4	○	9.1/F	18.6/H
1/4	3.2	0.30	13	12	6	9	8	6	8	7	6	82	82	8262H022	8262H007	4	○	6.1/F	10.6/H
1/4	4.0	0.45	21	14	14	9	9	9	8	8	8	82	82	8262H112	8262H187	3	○	17.1/F	22.6/H
1/4	4.0	0.45	14	14	10	4	4	4	4	4	4	82	82	8262H202	-	3	○	10.1/F	11.6/H
1/4	4.0	0.45	14	14	10	-	-	-	-	-	-	82	-	-	8262H220	3	○	10.1/F	-
1/4	4.0	0.45	10	10	7	7	5	5	6	5	5	82	82	8262H113	-	4	○	9.1/F	18.6/H
1/4	4.0	0.45	7	7	4	5	4	4	5	4	4	82	82	8262H111	8262H186	4	○	6.1/F	10.6/H
1/4	5.6	0.63	9	9	9	5	5	5	4	4	4	82	82	8262H114	8262H188	3	○	17.1/F	22.6/H
1/4	5.6	0.63	7	7	7	2	2	2	2	2	2	82	82	8262H208	-	3	○	10.1/F	11.6/H
1/4	5.6	0.63	7	7	7	-	-	-	-	-	-	82	-	-	8262H226	3	○	10.1/F	-
1/4	5.6	0.63	4	4	3	3	2	2	2	2	2	82	82	8262H013	8262H036	4	○	6.1/F	10.6/H
1/4	7.1	0.76	6	6	6	4	3	3	3	3	3	82	82	8262H212	8262H230	3	○	17.1/F	22.6/H
1/4	7.1	0.76	4	5	4	2	2	2	2	2	1	82	82	8262H210	-	3	○	10.1/F	11.6/H
1/4	7.1	0.76	4	5	4	-	-	-	-	-	-	82	-	-	8262H189	3	○	10.1/F	-
1/4	7.1	0.76	2	2	2	2	2	1	2	2	1	82	82	8262H090	8262H038	4	○	6.1/F	10.6/H
3/8	3.2	0.30	34	26	24	19	21	11	17	19	10	82	82	8263H115	8263H191	5	○	17.1/F	22.6/H
3/8	3.2	0.30	23	21	15	9	9	6	8	7	5	82	82	8263H232	-	5	○	10.1/F	11.6/H
3/8	3.2	0.30	23	21	15	-	-	-	-	-	-	82	82	-	8263H190	5	○	10.1/F	-
3/8	3.2	0.30	19	18	10	11	9	8	11	8	7	82	82	8263H003	-	6	○	9.1/F	18.6/H
3/8	3.2	0.30	13	12	6	9	8	6	8	7	5	82	82	8263H002	8263H330	6	○	6.1/F	10.6/H
3/8	4.0	0.45	21	14	13	9	9	7	8	8	6	82	82	8263H118	8263H193	5	○	17.1/F	22.6/H
3/8	4.0	0.45	14	13	7	4	4	3	4	4	3	82	82	8263H200	-	5	○	10.1/F	11.6/H
3/8	4.0	0.45	14	13	7	-	-	-	-	-	-	82	-	-	8263H331	5	○	10.1/F	-
3/8	4.0	0.45	10	10	6	7	5	5	6	5	5	82	82	8263H117	-	6	○	9.1/F	18.6/H
3/8	4.0	0.45	7	7	3	5	4	4	5	4	4	82	82	8263H116	8263H192	6	○	6.1/F	10.6/H
3/8	5.6	0.63	9	7	7	5	5	5	4	4	4	82	82	8263H206	8263H332	5	○	17.1/F	22.6/H
3/8	5.6	0.63	7	6	5	2	2	2	2	2	2	82	82	8263H124	-	5	○	10.1/F	11.6/H
3/8	5.6	0.63	7	6	5	-	-	-	-	-	-	82	-	-	8263H195	5	○	10.1/F	-
3/8	5.6	0.63	4	4	2	3	2	2	2	2	2	82	82	8263H119	8263H194	6	○	6.1/F	10.6/H
3/8	7.1	0.76	7	6	5	4	3	3	3	3	3	82	82	8263H210	8263H333	5	○	17.1/F	22.6/H
3/8	7.1	0.76	4	4	3	-	-	-	-	-	-	82	-	8263H125	8263H197	5	○	10.1/F	-
3/8	7.1	0.76	2	2	1	2	2	1	2	2	1	82	82	8263H054	8263H196	6	○	6.1/F	10.6/H

① Only available with UR disc, limits min. ambient temp. to 32°F (0°C); ● = General Purpose Valve, ○ = Safety Shutoff Valve

Dimensions: inches (mm)

Const. Ref.		H	K	L	P	W
1	ins	3.05	1.71	1.19	2.69	1.95
	mm	77	43	30	68	50
2	ins	2.85	1.60	1.19	2.50	1.69
	mm	72	41	30	63	43
3	ins	3.12	1.79	1.56	2.76	1.95
	mm	79	45	40	70	50
4	ins	2.96	1.72	1.56	2.60	1.69
	mm	75	44	40	66	43
5	ins	3.20	1.79	1.88	2.77	1.95
	mm	81	45	48	70	50
6	ins	3.03	1.72	1.88	2.60	1.69
	mm	77	44	48	66	43

Const. Ref. 1-6

Mounting Dimensions
Const. Ref. 1, 2
(1/8" Pipe)

Const. Ref. 3, 4
(1/4" Pipe)

Const. Ref. 5, 6
(3/8" Pipe)


Note: Mounting holes will accept a standard #10-32 machine screw.