



LIQUID FILLED GAUGES – SOLID FRONT STYLE

SOLFRUNT® Model 659 2-1/2" (63mm) and 4" (100mm) Stainless Steel Gauges

DESCRIPTION

When safety is your top priority, AMETEK U.S. Gauge offers the Model 659 Series SOLFRUNT gauges. The Model 659 provides users with a solid-front and pressure-relieving back design in all stainless steel construction. These gauges are available in both 63 and 100mm sizes, in panel mount and lower mount configurations. The liquid fill minimizes the effect of severe environments, protects the gauge internals, and provides continuous lubrication on the mechanism, all adding up to extended service life. Liquid filling also provides greater protection of the gauge internals from corrosive atmospheres.

The Model 659 SOLFRUNT is ideal for applications in chemical and petrochemical processing, offshore equipment, exploration, petroleum storage, and many other demanding applications. All Model 659 gauges are made with seamless 316L SST Bourdon tubes, which reduces concerns about tube fatigue and stress corrosion cracking.

The 659 is available dry or liquid filled with glycerin, mineral oil, or silicone DC-200.



SOLFRUNT
Model 659

with M&G Type EW Diaphragm Seal

SPECIFICATIONS

SIZES: 2-1/2" (63mm) and 4" (100mm)

RANGES: 63mm – 30" Hg-0 psi through 0 to 10000 psi
100mm – 30" Hg-0 psi through 0 to 23000 psi

ACCURACY:

Model 6592 (63mm) – ±1.6% of full scale (Grade B)

Model 6596 (100mm) – ±1.0% of full scale (Grade 1A)

BOURDON TUBE: Seamless 316L stainless steel

Model 6592 (63mm) – Less than or equal to 800 psi, C type Bourdon tube; greater than or equal to 1000 psi, helical type Bourdon tube

Model 6596 (100mm) – Less than or equal to 1000 psi, C type Bourdon tube; greater than or equal to 1500 psi, helical type Bourdon tube

WINDOW: 63mm – Polycarbonate (laminated shatter-resistant glass window optional)

100mm – Laminated shatter-resistant glass window

MOVEMENT: 304 stainless steel

DIAL: White aluminum with black lettering*

POINTER: 63mm aluminum alloy, black painted; adjustable pointer on 100mm, aluminum black

CASE AND BEZEL RING: 304 stainless steel; bayonet type

CASE PRESSURE RELIEF: Safety back

PROCESS CONNECTION: 316L stainless steel

63mm – 1/4-18 NPT standard

100mm – LM 1/4-18 NPT or 1/2-14 NPT standard; lower back mount 14-18 NPT standard

WORKING PRESSURE: Steady – 50% of full scale; over range protection – 125% of full scale

WORKING TEMPERATURE:

Ambient: -40°F to 140°F (-40°C to 60°C)

Fluid: -4°F to 176°F (-20°C to 80°C)

* Single scale psi dials are standard, but dials can be changed out at the factory for kPa/psi, kPa, psi/bar, or bar

WARNING:

Fill fluids can combine with strong oxidizing agents, including (but not limited to) chlorine, nitric acid, and hydrogen peroxide and result in an explosion which can cause property damage and personal injury or bodily harm. If gauges are to be used in such hazardous service, consult factory for other liquid filling and product alternatives.

In order to correctly use these gauges, it is recommended that users of pressure gauges become familiar with American National Standard ASME B40.100-2005 entitled "Pressure Gauges and Gauge Attachments." This specification is available from the American Society of Mechanical Engineers, United Engineering Center, 345 East 47th Street, New York, NY 10017.



On-line order fax: +1 215-323-9450 or e-mail: usg.sales@ametek.com

Sales/Technical Support: +1 215-674-1234 | 205 Keith Valley Road | Horsham PA 19044 U.S.A.



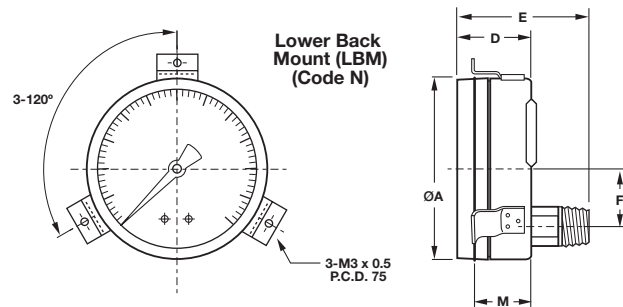
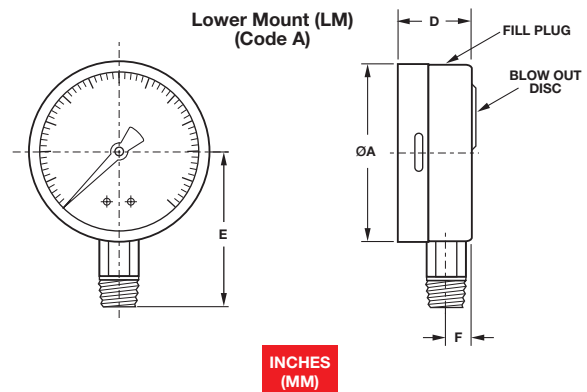


LIQUID FILLED GAUGES – SOLID FRONT STYLE

SOLFRUNT® Model 659 2-1/2" (63mm) and 4" (100mm) Stainless Steel Gauges

Pressure Ranges	
Ranges**	
30" Hg-0	
30" Hg-0-15	
30" Hg-0-30	
30" Hg-0-60	
30" Hg-0-100	
30" Hg-0-150	
30" Hg-0-200	
0-15 psi	
0-30 psi	
0-60 psi	
0-100 psi	
0-160 psi	
0-200 psi	
0-300 psi	
0-400 psi	
0-600 psi	
0-1000 psi	
0-1500 psi	
0-2000 psi	
0-3000 psi	
0-5000 psi	
0-10000 psi	
0-15000 psi	
0-23000 psi*	

Dimensions							
Dial Sizes	Mounting	Unit	A	D	E	F	M
2-1/2" (63mm)	LM	inches	2.5	1.54	2.20	0.68	-
	LM	mm	63.5	39.1	55.9	17.3	-
4" (100mm)	LBM	inches	2.5	1.54	2.56	0.66	1.39
	LBM	mm	63.5	39.1	65.0	16.8	35.3
4" (100mm)	LM	inches	3.99	2.32	3.27	1.0	-
	LM	mm	101.4	58.9	83.0	25.4	-
4" (100mm)	LBM	inches	3.99	2.32	3.68	1.14	1.89
	LBM	mm	101.4	58.9	93.5	29.0	48.0



* Not available in 63mm

** Metric and dual scale dials are available. Please call Customer Service at +1 215-674-1234 for more information



LIQUID FILLED GAUGES – SOLID FRONT STYLE

SOLFRUNT® Model 659 2-1/2" (63mm) and 4" (100mm) Stainless Steel Gauges

Spec Number Selection Chart – 2-1/2" (63mm)

Model 659 2-1/2" (63mm)	Stem Mounting	Front Flange Panel Mounting
Model Number	6592 Lower Mount, 1/4-18 NPT	6592 Lower Back Mount, 1/4-18 NPT
Bourdon Tube	316L Stainless Steel	316L Stainless Steel
Connection	316L Stainless Steel	316L Stainless Steel
Ranges*	Spec No.	Spec No.
0-30" Hg VAC	259000	259025
30"-0-15 psi	259001	259026
30"-0-30 psi	259002	259027
30"-0-60 psi	259003	259028
30"-0-100 psi	259004	259029
30"-0-150 psi	259005	259030
30"-0-200 psi	259006	259031
0-15 psi	259007	259032
0-30 psi	259008	259033
0-60 psi	259009	259034
0-100 psi	259010	259035
0-160 psi	259011	259036
0-200 psi	259012	259037
0-300 psi	259013	259038
0-400 psi	259014	259039
0-600 psi	259015	259040
0-1000 psi	259016	259041
0-1500 psi	259017	259042
0-2000 psi	259018	259043
0-3000 psi	259019	259044
0-4000 psi	259020	259045
0-5000 psi	259021	259046
0-6000 psi	259022	259047
0-10000 psi	259023	259048
0-15000 psi	259024	259049

* Metric and dual scale dials are available. Please call Customer Service at +1 215-674-1234 for more information.

Please add SR behind spec number when ordering if you need a shatter-resistant glass window.



LIQUID FILLED GAUGES – SOLID FRONT STYLE

SOLFRUNT® Model 659 2-1/2" (63mm) and 4" (100mm) Stainless Steel Gauges

Spec Number Selection Chart – 4" (100mm)

Model 659 4" (100mm)	Stem Mounting		Front Flange Panel Mounting
Model Number	6596 Lower Mount, 1/4-18 NPT	6596 Lower Mount, 1/2-14 NPT	6596 Lower Back Mount, 1/4-18 NPT
Bourdon Tube	316L Stainless Steel	316L Stainless Steel	316L Stainless Steel
Connection	316L Stainless Steel	316L Stainless Steel	316L Stainless Steel
Ranges*	Spec No.	Spec No.	Spec No.
0-30" Hg VAC	359000	359029	359058
30"-0-15 psi	359001	359030	359059
30"-0-30 psi	359002	359031	359060
30"-0-60 psi	359003	359032	359061
30"-0-100 psi	359004	359033	359062
30"-0-150 psi	359005	359034	359063
0-15 psi	359008	359037	359066
0-30 psi	359009	359038	359067
0-60 psi	359010	359039	359068
0-100 psi	359011	359040	359069
0-160 psi	359012	359041	359070
0-200 psi	359013	359042	359071
0-300 psi	359014	359043	359072
0-400 psi	359015	359044	359073
0-600 psi	359016	359045	359074
0-1000 psi	359018	359047	359076
0-1500 psi	359019	359048	359077
0-2000 psi	359020	359049	359078
0-3000 psi	359021	359050	359079
0-5000 psi	359023	359052	359081
0-10000 psi	359025	359054	359083
0-15000 psi	359027	359056	359085
0-23000 psi	359028	359057	359086

* Metric and dual scale dials are available. Please call Customer Service at +1 215-674-1234 for more information.



LIQUID FILLED PROCESS GAUGES

Other Liquid Filled Gauges

For additional gauges that can be liquid filled please reference the following products in the Process Section of this catalog:

XR-Series – All-welded Process Gauge and Diaphragm Seal

SOLFRUNT[®] – 4-1/2" Model 1981 and Model 1981 Advantage

SOLFRUNT – 4-1/2" Models 1980 and 1986

SOLFRUNT – 4-1/2" Models 1901 and 1931

SOLFRUNT – 4-1/2" Models 1903 and 1933

All gauges are available dry or liquid filled from the factory or our local AMETEK U.S. Gauge distributors. Please visit our web site at www.ametekusg.com to find your nearest distributor or contact Customer Service at +1 215-674-1234 for more information